

FORTEVER ®

零
件
书

SPARE PARTS BOOK

**SINGLE HEAD
PORTABLE TUBULAR EMBROIDERY MACHINE
小马头机**

**MODEL: FT-901S
FT-1201S
FT-1501S**

PORTABLE TUBULAR EMBROIDERY MACHINE

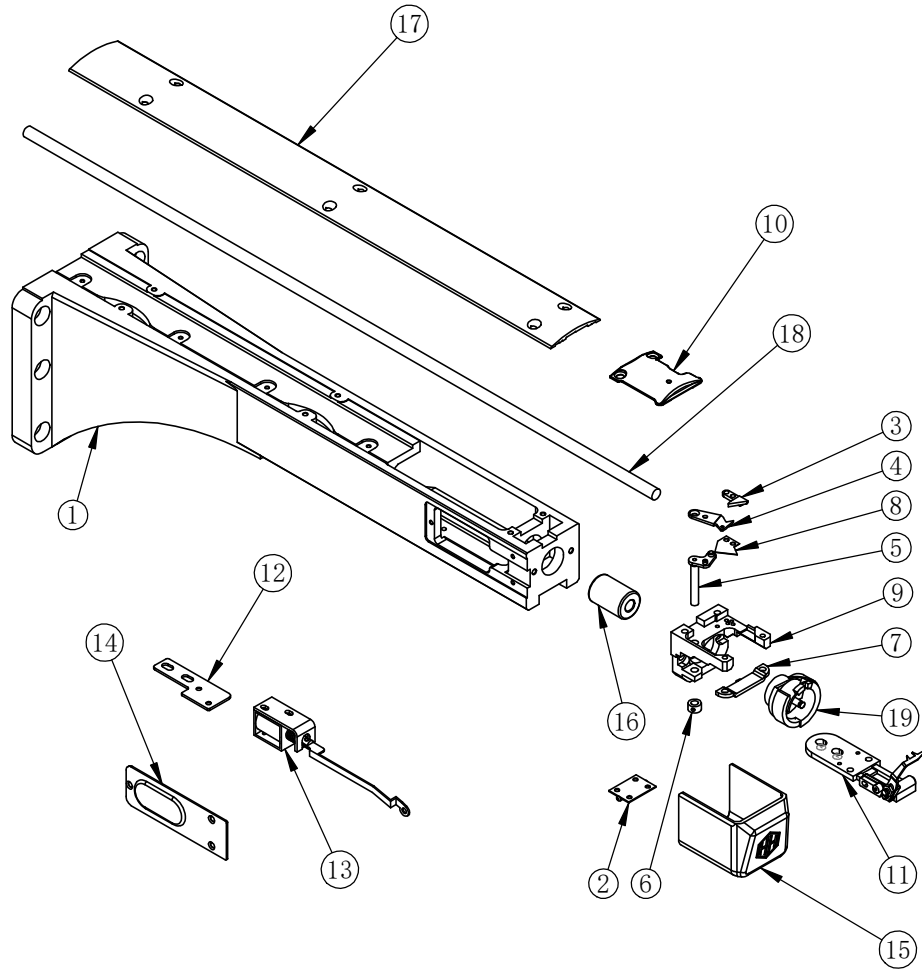
小马头机

C O N T E N T S

目 录

1	Rotary Hook Base 梭床	8	Gear Box 齿轮箱
2	Trimming Parts 底线剪线部分	9	Machine Cover 机器罩盖
3		10	Color Change Parts 换色
4	X Axis Guide Rail X向导轨	11	Table 台板
5	Y Axis Guide Rail Y向导轨	12	Tension 夹线器
6-1	Head Guide Rail Jump Solenoid 机头导轨 机头电磁铁	13	
6-2	Slide Block Take Up Lever A/B 针杆驱动块 挑线杆AB	14	
6-3	Needle Bar Driving Cam Set 大连杆组件	15	Thread Stand 线架
6-4	Presser Foot Cam Block 压脚凸轮 压脚驱动块	16	Embroidery Frame 花架
6-5	Jump Motor 电机跳跃	17	Cap Frame Parts 帽框组件
7-1	Needle bar Take Up Lever 针杆 挑线杆	18	Cap Stand Frame 帽架
7-2	Head Cover Thread Lock 面盖 下过线		

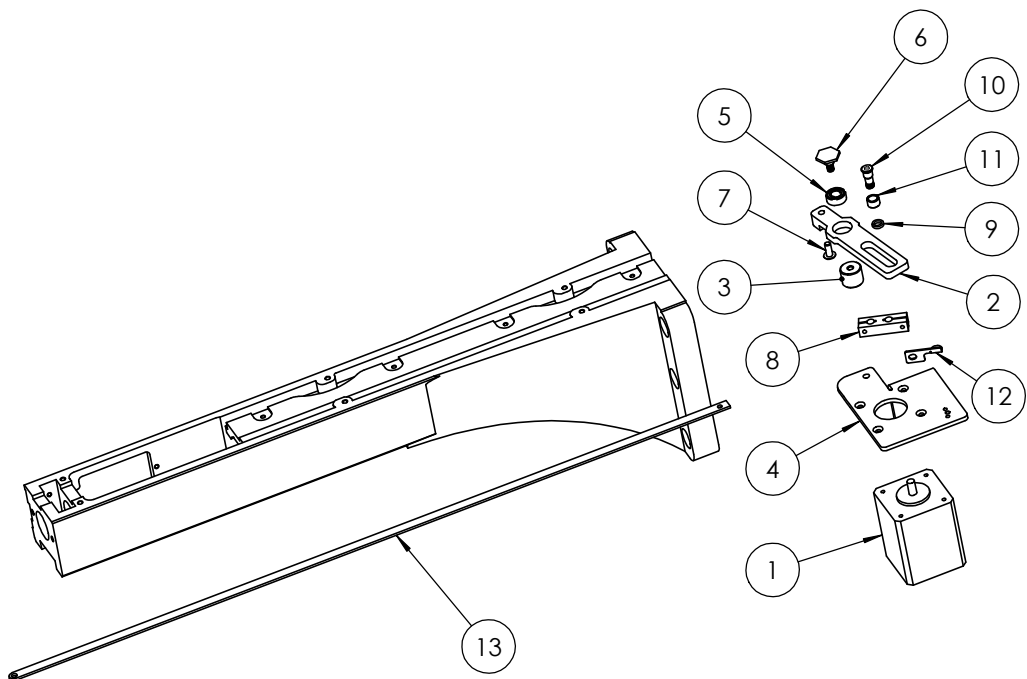
1 Rotary Hook Base 梭床



1 Rotary Hook Base 梭床

No.	Chinese Description	Description	Part No.	Qty
1	梭箱-小马头	Rotary Hook Base	106030001	1
2	1寸窄版合页	Hinge	103030039	1
3	定刀	Fixed Knife	103030018	1
4	动刀	Movable Knife	103030017	1
5	动刀轴	Movable Knife Drive Arm	103030015	1
6	动刀轴轴套	Collar	103030016	1
7	旋梭定位钩	Rotary Position Hook	103030007	1
8	底线压片	Under Thread Presser	103030019	1
9	针板座-帽机配弧	Needle Plate Base	103030036	1
10	弧形平针板	Needle Plate	103030034	1
11	帽机扣线叉组件	Picker Solenoid Set	301020012	1
12	扣线电磁铁底板座-小马头	Electromagnet Pedestal	106030029	1
13	小马头扣线电磁铁组件	Electromagnet Module	301070023	1
14	扣线电磁铁盖板	Left Cover	103030026	1
15	旋梭塑料护罩	Plastic cover	103030025	1
16	粉末套	Bushing	105030011	1
17	梭床中盖板(圆弧)	Mid Cover	106030002	1
18	旋梭轴-L595	Rotary Hook Shsft	106030004	1
19	旋梭	Hook	211030001	1

2 Trimming Parts 底线剪线部分

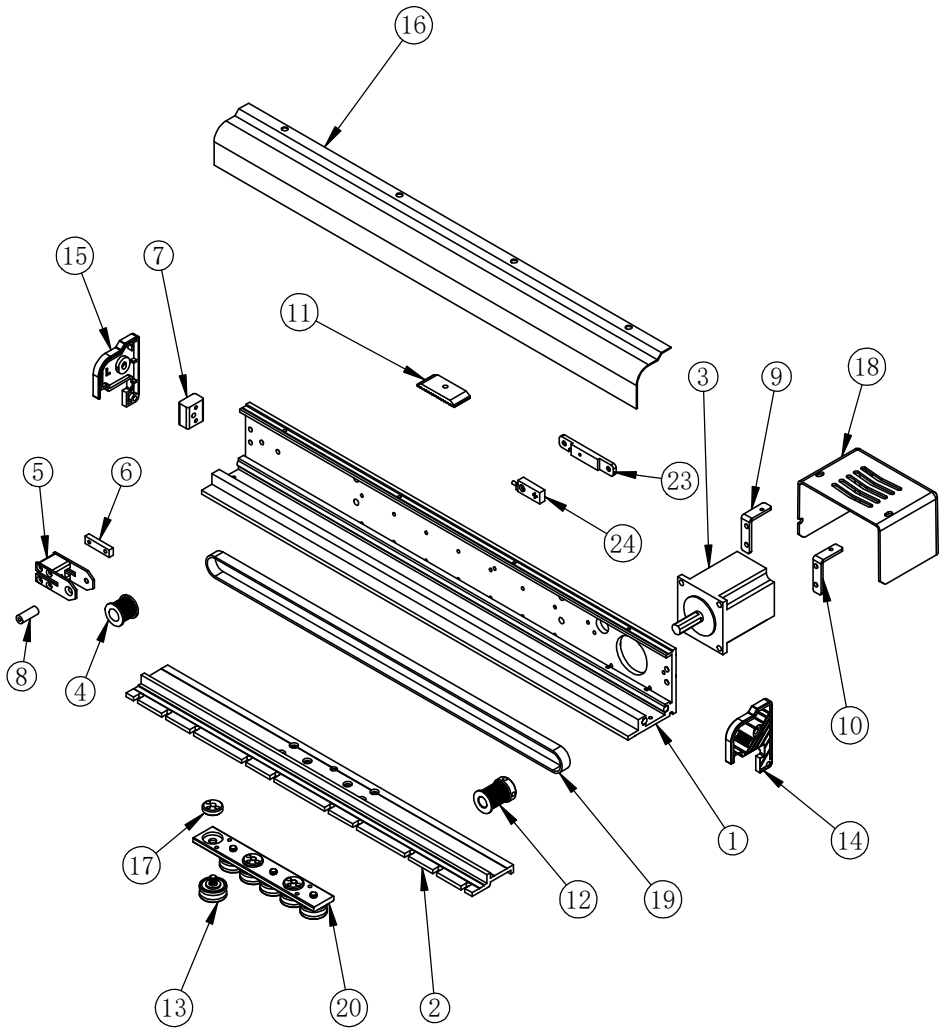


221011

2 Trimming Parts 底线剪线部分

No.	Chinese Description	Description	Part No.	Qty
1	小马头剪线电机	Motor Base	206010010	1
2	剪线摆杆 (360度剪线用)	Trimming Drive Rod	106040008	1
3	剪线摆杆垫块	Trimming Rod Base Collar	106040012	1
4	剪线马达座	Bearing Pin Screw	106040001	1
5	轴承628	Trimming Rod Base collar	202010030	1
6	剪线轴承台阶螺丝	Trimming Drive Block	106040010	1
7	落头销钉	Pin	105070022	1
8	剪线驱动块	Trimming Drive Block	106040007	1
9	垫片	Bushing	105080018	1
10	分段销1 (剪线用)	Pin	106040013	1
11	换色滚珠	Collar	105080016	1
12	剪线感应头	Senoor Plate	105070005	1
13	剪线拉杆	Trmming Pull Rod	106040002	1

4 X Axis Guide Rail X向导轨

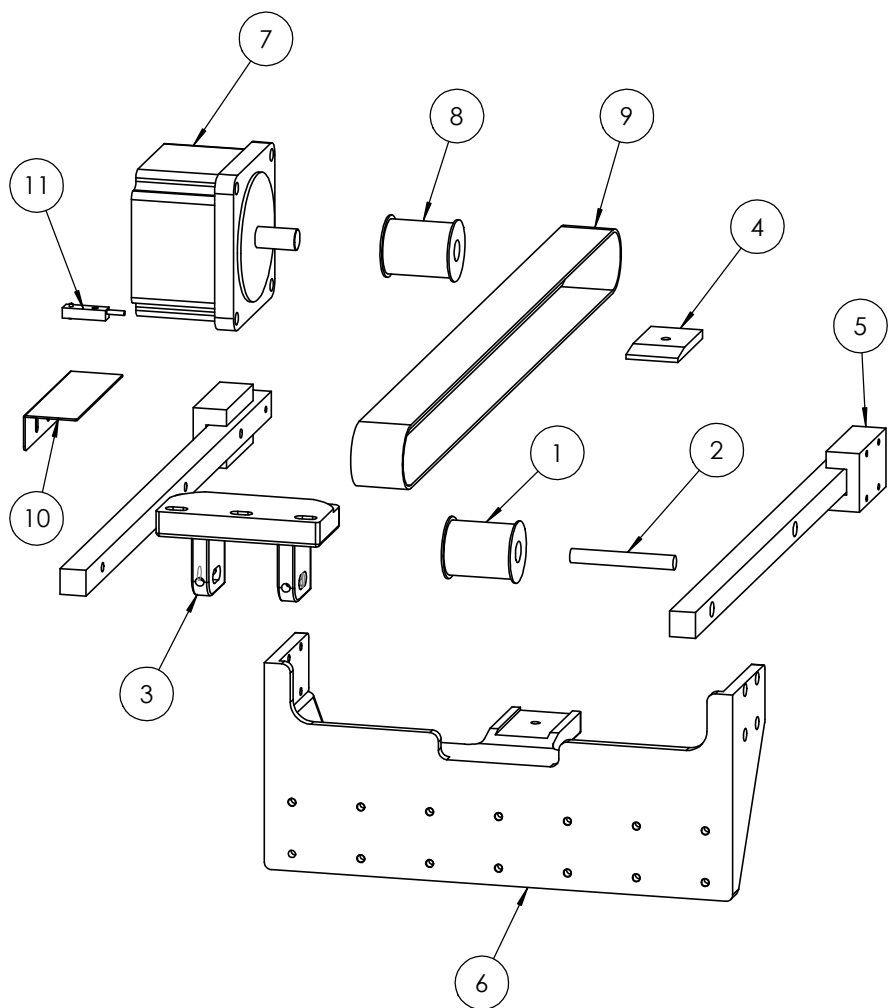


220813

4 X Axis Guide Rail X向导轨

No.	Chinese Description	Description	Part No.	Qty
1	X驱动座	X-Axis Drive Base	106160016	1
2	X驱动动板W75L	Moving Plate	106160017	1
3	马头X电机	Step Motor	206030002	1
4	X被动轮S3M20TW20	Timing Pulley	105150040	1
5	X被动轮张紧座1	Bracket Block	105150050	1
6	X被动轮调节滑块	Adjust Block	105150063	1
7	X被动轮调节座	Side Cover Support	105150062	1
8	X被动轮轴1	Shaft	105150056	1
9	X向电机罩壳右支架	Motor Cover Bracket-R	105150078	1
10	X向电机罩壳左支架	Motor Cover Bracket-L	105150077	1
11	X向皮带压板3MW16	Press Block Up	105150088	1
12	X主动皮带轮(S3M W16)	Timing Pulley	105150036	1
13	U型轴承627U	U Bearing	202140002	6
14	塑料侧盖板-圆弧右	Side Cover-R	105150070	1
15	塑料侧盖板-圆弧左	Side Cover-L	105150069	1
16	X驱动座罩盖	Cover	106160018	1
17	调节偏心螺母M6	Eccentric Nut	110150003	3
18	X向电机塑料罩	Motor Cover	105150064	1
19	开口同步带S3M-16	Belt	204010001	1
20	动板轴承组底板	Bearing Plate	105150034	1
23	马头横框接近感应器底座	Sensor Base	105150095	1
24	接近感应器	Limit Sensor	207030006	1

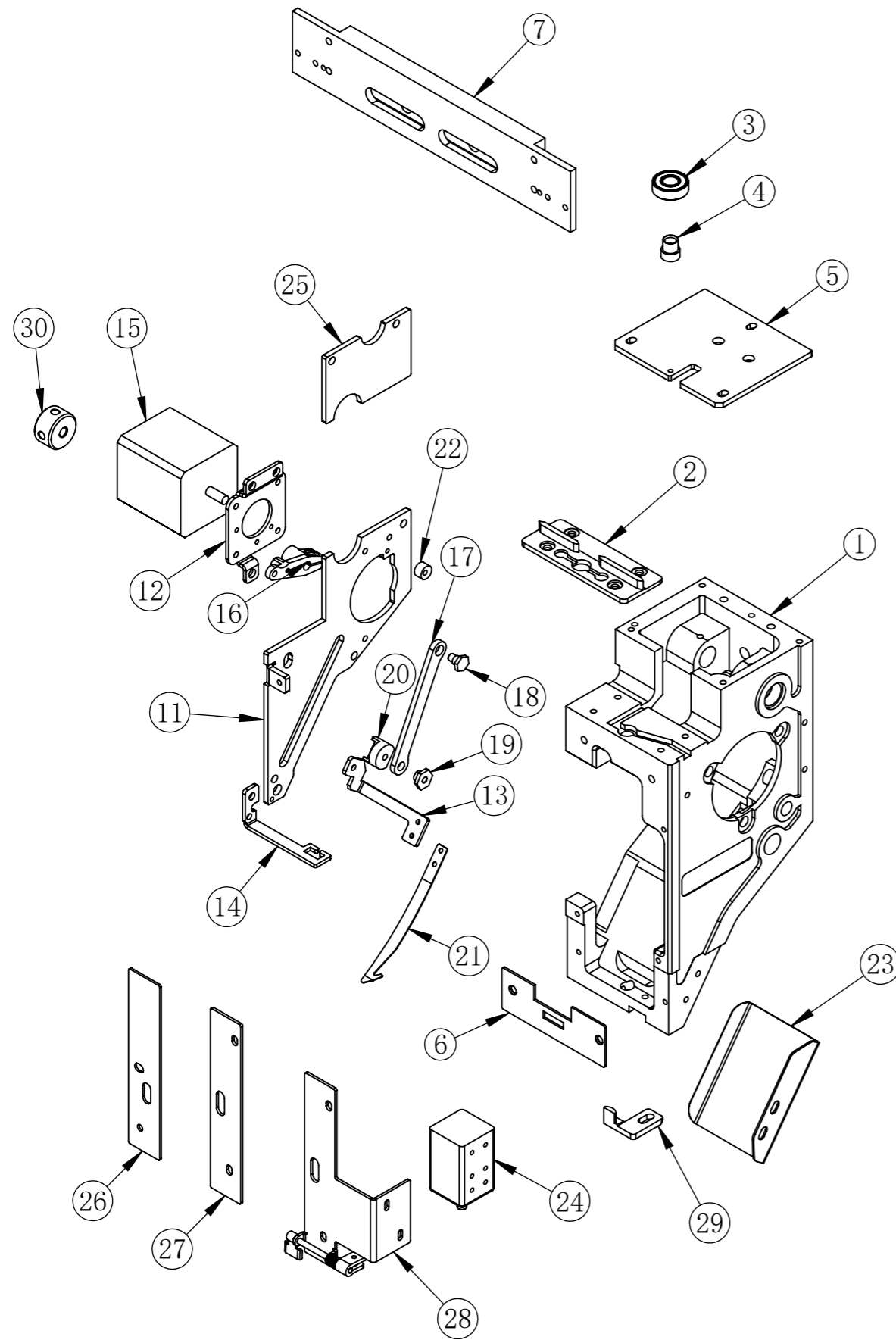
5 Y Axis Guide Rail Y向导轨



5 Y Axis Guide Rail Y向导轨

No.	Chinese Description	Description	Part No.	Qty
1	Y向被动轮 (5M W30)	Pulley	105160019	1
2	Y被动带轮轮轴	Pulley Shaft	106160003	1
3	Y被动轮支架	Holder Tension Pulley	106160001	1
4	Y皮带压板	Y Press Block UP	106160005	1
5	直线导轨H15L400	Liner Way	203040008	2
6	Y驱动托架	Y Driver Bracket	106160004	1
7	小马头Y电机	Motor	206060001	1
8	Y主动皮带轮	Timing Pulley	106160002	1
9	开口皮带5MW30	Belt	204010013	1
10	Y限位感应片	Y Limit Block	106160006	1
11	接近感应器	Pin	105070001	1

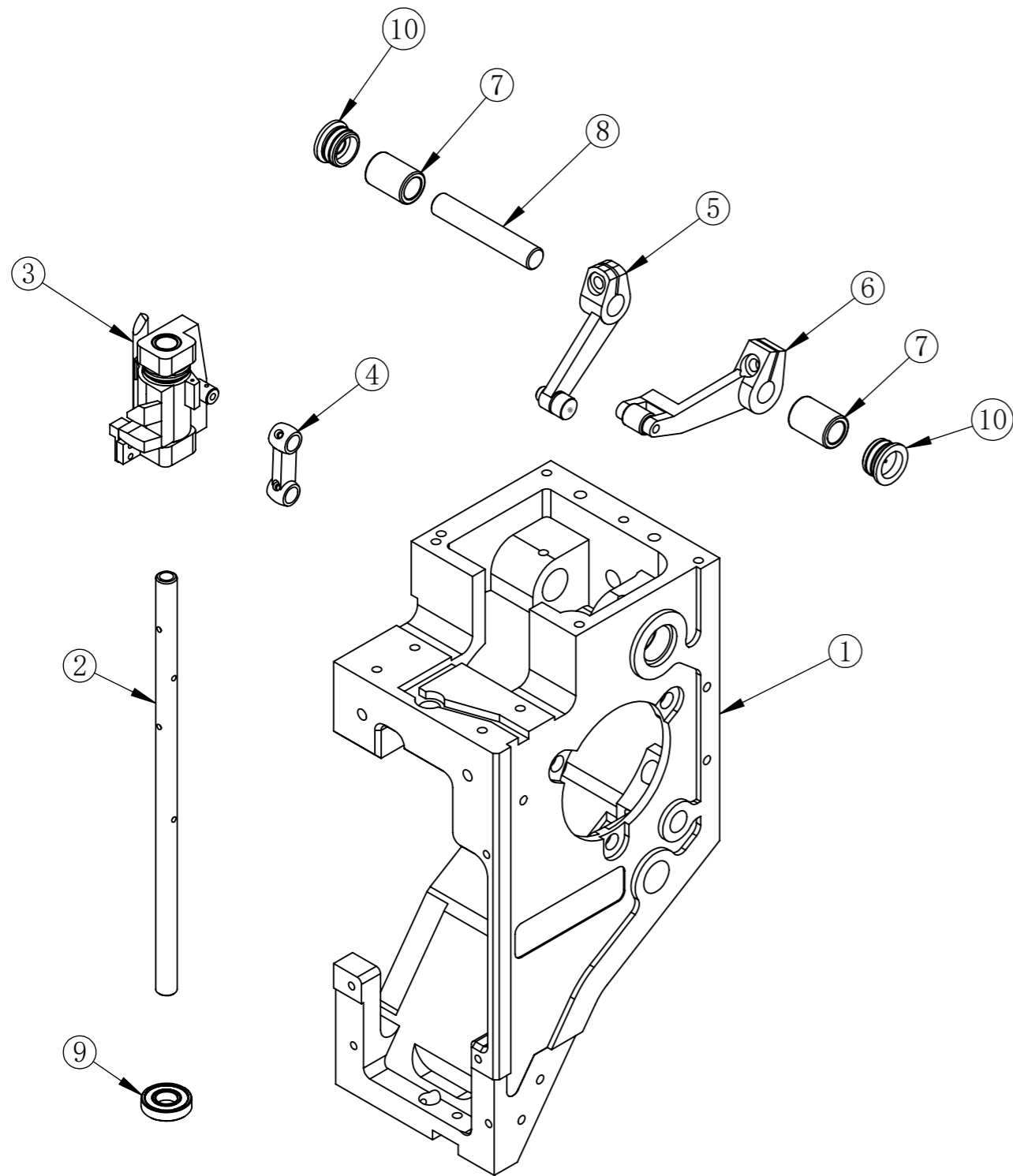
6-1 Arm 1 机头1



6-1 Arm 1 机头1

No.	Chinese Description	Description	Part No.	Qty
1	机头壳47ST	Head	0102010001	1
2	换色导条	Take-up Lever Guide Rail	0102010007	1
3	轴承698	Bearing	0202010016	1
4	自扣轴承销	Roller Pin	0102010003	1
5	机头上盖板	Head Up Cover	0102010002	1
6	机头前下导板	Plate	0102010005	1
7	机头上导轨9针 不带夹板耳	Slide Rail 9N(Single)	0203030004	
7	机头上导轨 9针	Slide Rail 9N	0203030001	1
8	机头上导轨6针 不带夹板耳	Slide Rail 6N(Single)	0203030009	
8	机头上导轨6针	Slide Rail 6N	0203030002	
9	机头上导轨12针不带夹板耳	Slide Rail 12N(Single)	0203030003	
9	机头上导轨 12针	Slide Rail 12N	0203030007	
10	机头上导轨15针不带夹板耳	Slide Rail 15N(Single)	0203030008	
10	机头上导轨 15针	Slide Rail 15N	0203030005	
11	电机勾线板	Side Cover	0102010009	1
12	勾线电机座	Base: Hook Motor	0102040001	1
13	电机勾线勾刀连杆	Hook Support	0102040002	1
14	电机勾线勾刀导向板	Guide:Hook	0102040003	1
15	42电机	Motor	0206010005	1
16	电机勾线驱动连杆	Driver Lever:Hook	0102040004	1
17	电机勾线中间连杆	Connecting Plate : Hook	0102040005	1
18	连杆轴螺丝	Stepped Screw	0102040006	1
19	连杆轴圈	Spacer	0102040007	1
20	尼龙滑块	Slide	0102040008	1
21	弧形勾刀	Hook	0102040009	1
22	橡胶缓冲套	Damper Ring	0102090013	1
23	勾线器后挡板	Back Side Cover	0102040012	1
24	面线夹电磁铁 (大)	Solenoid	0206150002	1
25	机头上侧板	Side Cover	0102010008	1
26	机头前盖L	Head Front Cover	0102050001	1
27	机头前盖R	Head Front R	0102010004	1
28	锁线装置组件 (右置大)	Open Frame Driven Set	0302050011	1
29	高速针杆架定位勾	Needle Bar Case	0102010006	1
30	电机手动旋钮	Handle	0105040001	1

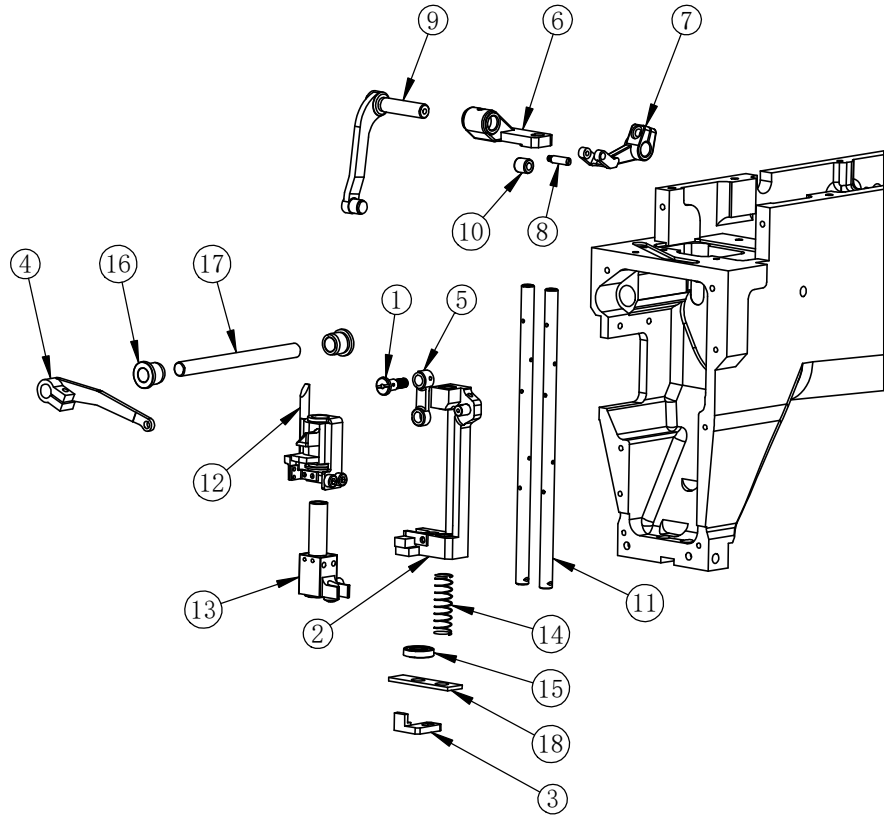
6-2 Arm 2 机头2



6-2 Arm 2 机头2

No.	Chinese Description	Description	Part No.	Qty
1	机头壳47ST	Head	0102010001	1
2	针杆驱动轴	Needle Bar Drive Shaft	0105010027	1
3	针杆驱动器组件(电机跳跃用)	Needle Bar Rectiparocator Set	0302010007	1
4	针杆驱动连杆(小连杆)	Connecting Rod	0102010035	1
5	挑线杆A组件	Take Up Lever A Set	0302010005	1
6	挑线杆B组件	Take Up Lever B Set	0302010006	1
7	挑线杆轴衬套	Bearing Case Bushing	0102010023	2
8	挑线杆轴	Straight Pin	0102010018	1
9	轴承D17d7点24	Bearing	0202010004	1
10	挑线轴塑料堵头	Cover	0102010022	2

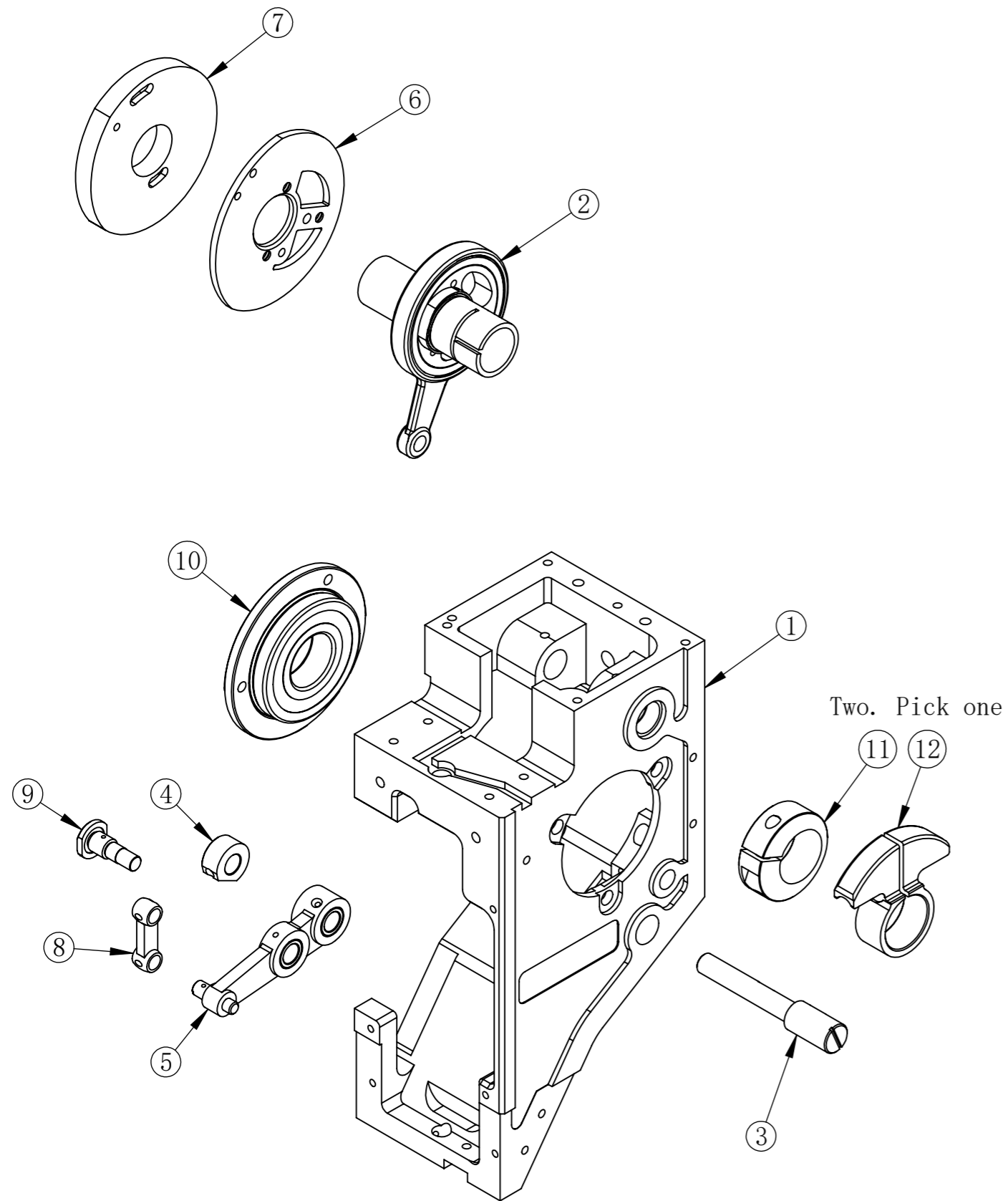
6-2 Needle Bar Driving Cam Set 针杆驱动块 挑线杆AB



6-2 Needle Bar Driving Cam Set 针杆驱动块 挑线杆AB

No.	Chinese Description	Description	Part No.	Qty
1	提压脚连接销	Connecting Rod Pin-L20	105010053	1
2	压脚驱动块组件	Presser Foot Drive Set	105010046	1
3	马头机下导轨定位勾	Positioning Plate	105010025	1
4	提压脚连杆	Drive Arm	105010051	1
5	提压脚小连杆	Presser Foot Connecting Rod	105010052	1
6	挑线连杆座	Take-Up Bar Base	105010028	1
7	挑线老压头连接销	Take-UP Connecting Lever Pin	105010034	1
8	挑线老压头辊子	Driver Returnning Rod	105010036	1
9	挑线杆驱动臂	Take-UP Connecting Rod	105010035	1
10	滚针轴承	Bearing NK0808	202070002	1
11	针杆驱动轴	Needle Bar Drive Shaft	105010027	2
12	针杆驱动块	Reciprocator	105010038	1
13	针杆驱动块座	Needle Bar Drive Block	105010041	1
14	马头提压脚弹簧	Spring	105010026	1
15	轴承D17d7点24	Bearing	202010004	1
16	铜套	Oiled Bearing	105070014	2
17	提压脚驱动臂轴	Presser Foot Connecting Rod	105010050	1
18	马头机机头下毛毡	Felt	105010014	1

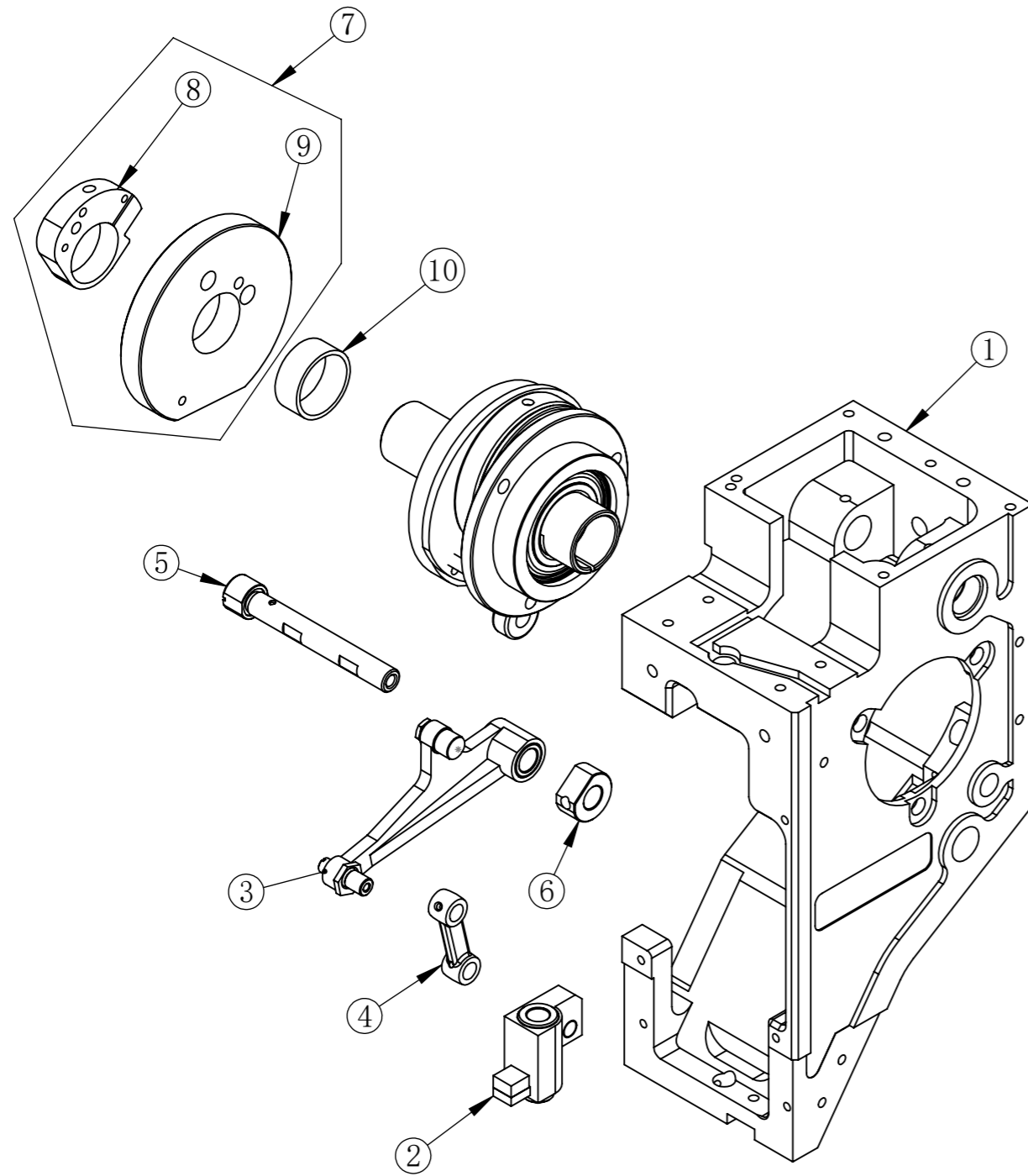
6-3 Arm 3 机头3



6-3 Arm 3 机头3

No.	Chinese Description	Description	Part No.	Qty
1	机头壳47ST	Head	0102010001	1
2	TLB加长凸轮连杆轴承	BOM Cam Set	0302010002	1
3	三眼连杆定位轴	Stepper Pin	0102010030	1
4	定位挡圈M5	STOPPER COLLAR	0102010032	1
5	三眼连杆组件	Lever Needle Bar Set	0302010003	1
6	凸轮盖板 (配BOM)	CAM BASE	0102010027	1
7	挑线凸轮	CAM: TAKE-UP LEVER	0102010028	1
8	针杆驱动连杆 (小连杆)	Connecting Rod	0102010035	1
9	1号销	Stepped Screw	0102010033	0
10	F70/22法兰联体轴承	Bearing Case Set	0302010001	1
11	偏心夹头	Tightening Collar	0102010024	1
12	轴径18锁紧套 - 带平衡	Tightening Collar	0102010051	1

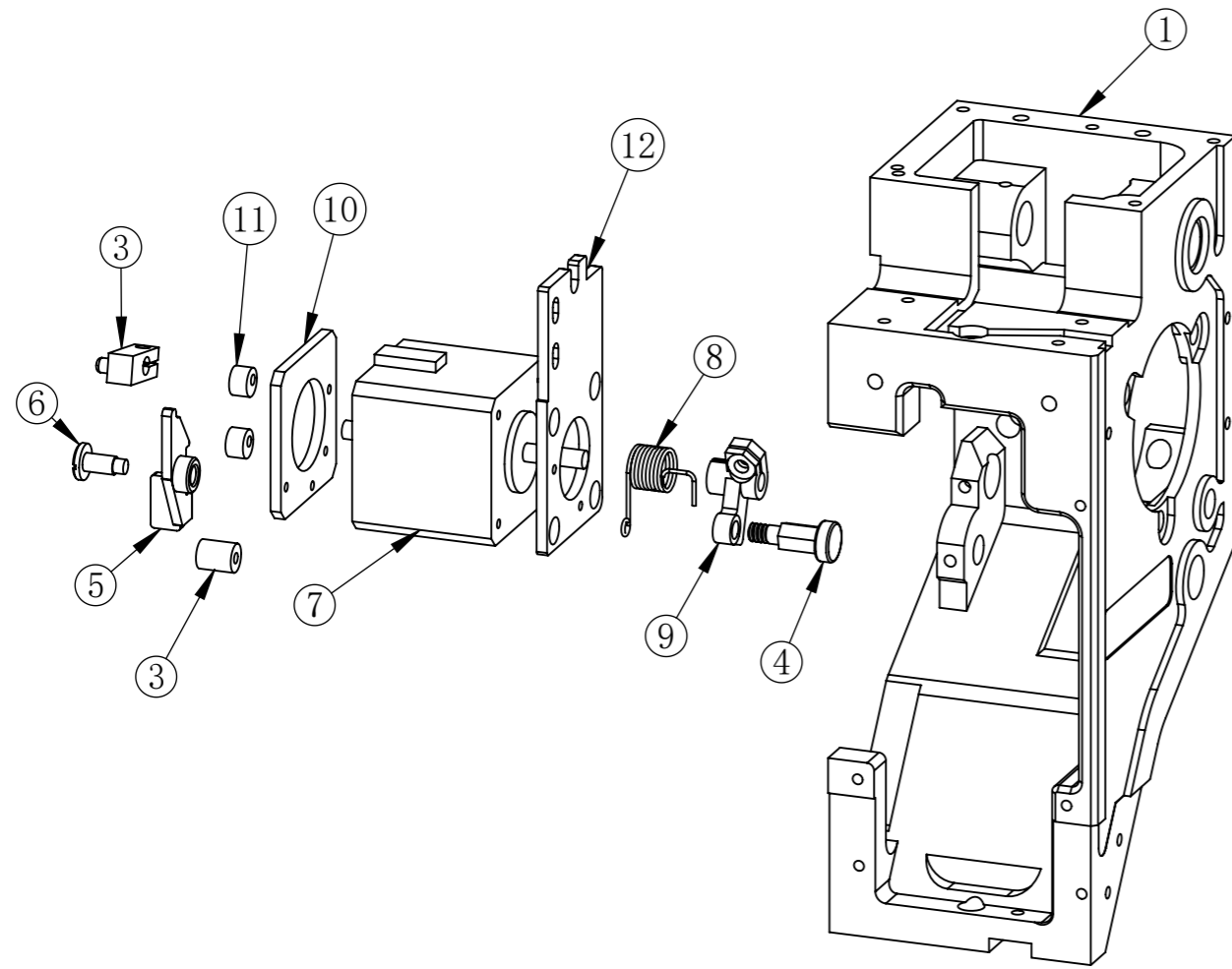
6-4 Arm 4 机头4



6-4 Arm 4 机头4

No.	Chinese Description	Description	Part No.	Qty
1	机头壳47ST	Head	0102010001	1
2	压脚驱动器组件	PRESSER FOOT DRIVER SLIDE BOLCK	0302010009	1
3	压脚连杆组件	Connecting Rod	0302010010	1
4	压脚小连杆	Connecting Rod	0102010044	1
5	压脚连杆定位轴	Presser Foot Fixing Pin	0102010043	1
6	定位挡圈M5	Stopper Collar	0102010032	1
7	47压脚凸轮铝圈组件	Cam Set	0302010004	1
8	压脚凸轮固定座	BASE:CAM	0102010040	
9	压脚凸轮	CAM	0102010041	
10	凸轮隔圈	Collar	0102010042	1

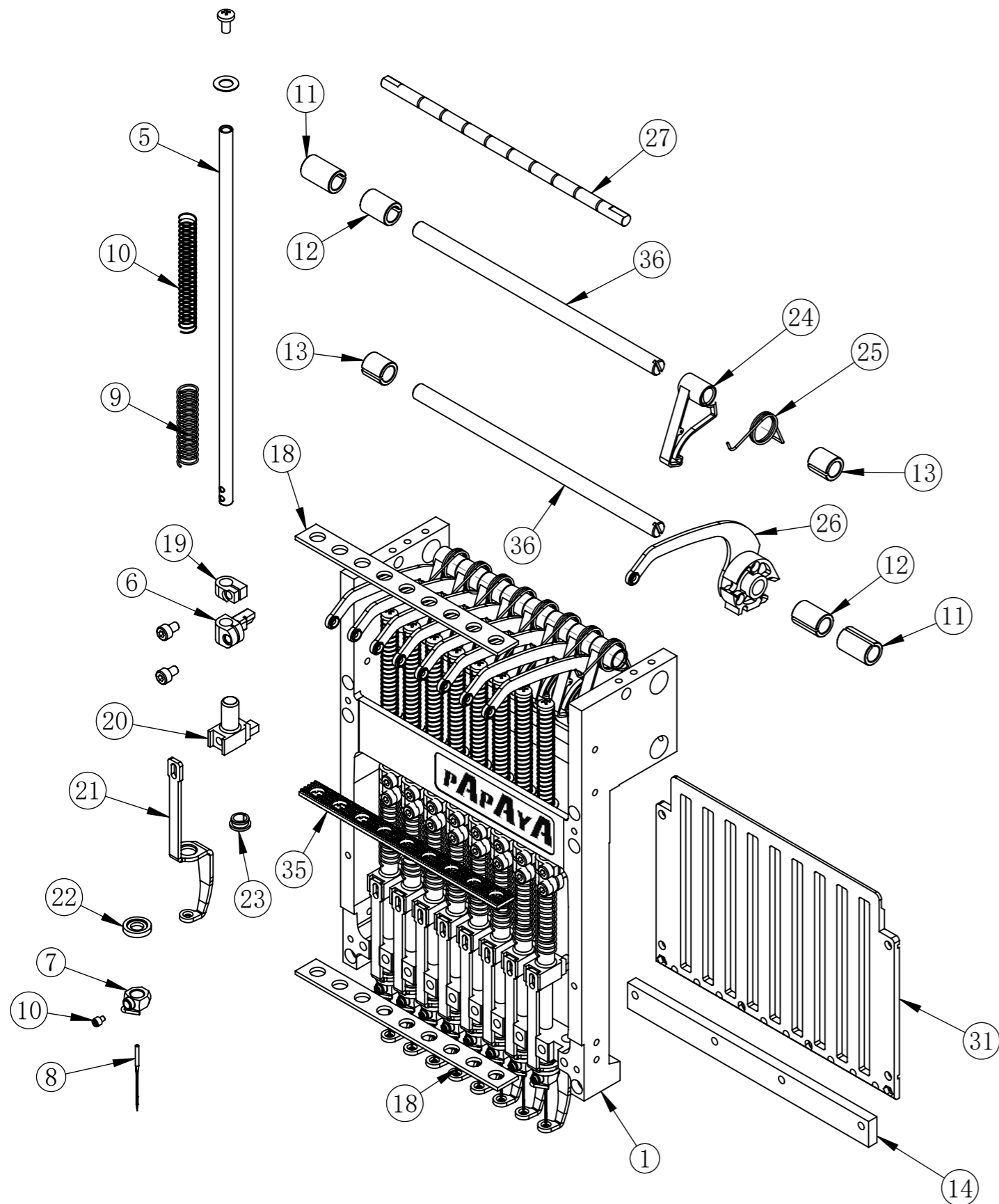
6-5 Jump Motor 跳跃电机



6-5 Jump Motor 跳跃电机

No.	Chinese Description	Description	Part No.	Qty
1	机头壳47ST	Head	102010001	1
3	止动销	Stop Pin	102090005	1
3	控制柄	Lever For Jump Motor	102090006	1
4	驱动连杆轴承	Jump Bearing	102090007	1
5	手动柄	Clutch Lever	102090008	1
6	手动销	Stepped Screw	102090009	1
7	47机头跳跃电机	Jump Motor	206010002	1
8	跳跃回位弹簧	Torsion Spring	102090010	1
9	跳跃驱动连杆	Lever Jump	102090011	1
10	限位安装侧板	Rear Board	102090012	1
11	橡胶缓冲套	Damper Ring	102090013	2
12	跳跃电机安装板	Jump Motor Bracker	102090004	1

7-1 Needle Bar Case 1 针架1

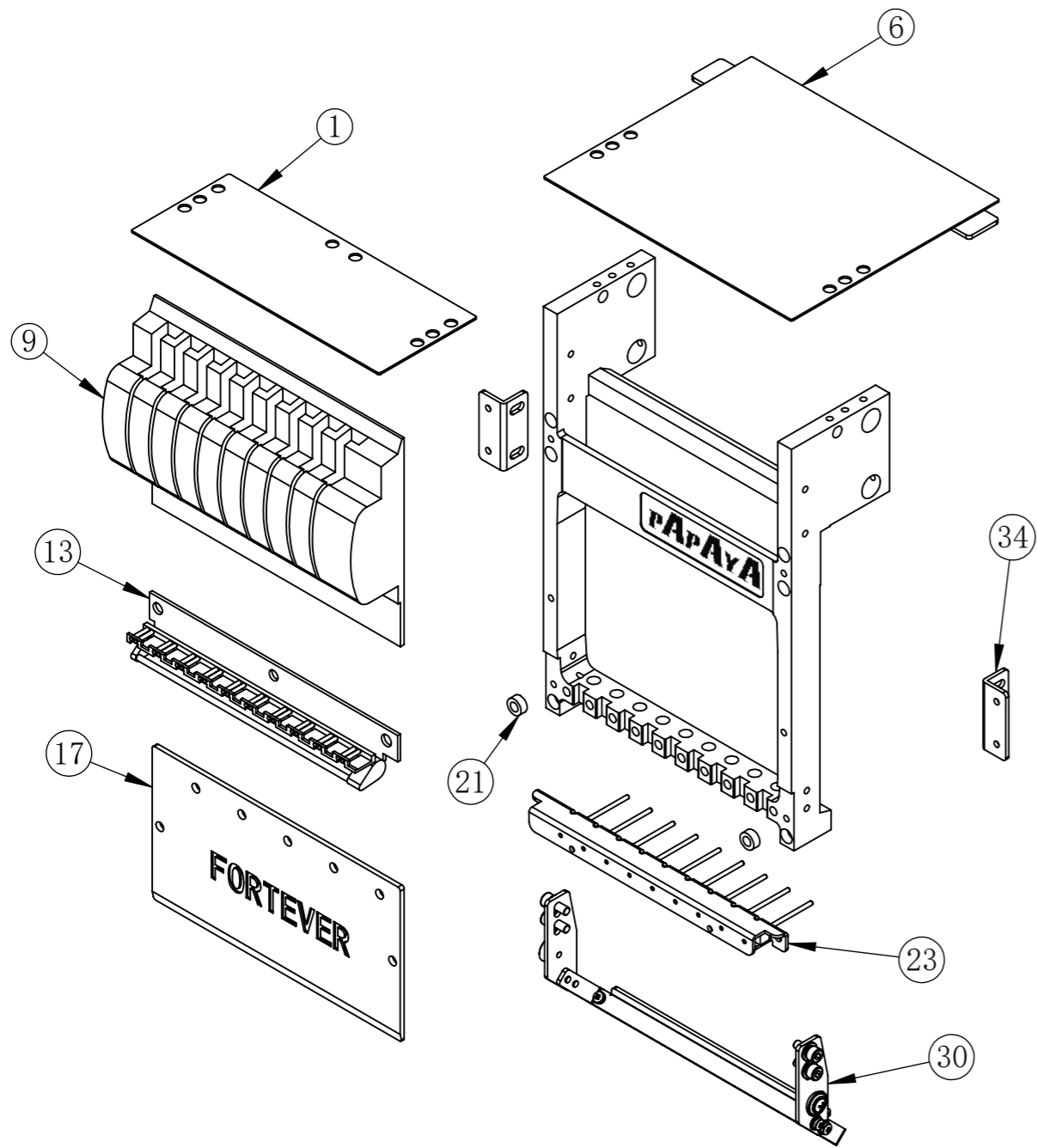


220624

7-1 Needle Bar Case 1 针架1

No.	Chinese Description	Description	Part No.	Qty
1	针杆架 9针	Needle Bar Case 9N	0102020001	1
2	针杆架 6针	Needle Bar Case 6N	0102020002	
3	针杆架 12针	Needle Bar Case 12N	0102020003	
4	针杆架 15针	Needle Bar Case 15N	0102020004	
5	针杆L217	Needle Bar	0105020005	9
6	下死点	Needle Bar Connecting Stu	0102020009	9
7	针夹 (连螺钉)	Needle Clamp	0102020016	9
8	针	Needle		9
9	针杆下弹簧	Compression Sprin	0102020010	9
10	针杆上弹簧	Upper Spring	0102020005	9
11	开口轴衬L19	Split Collar	0102020019	2
12	开口轴衬L16	Split Collar	0102020022	2
13	开口轴衬L12	Split Collar	0102020017	2
14	下导轨条 9N	Needle Bar Lower Guide Rail	0203030021	1
15	下导轨条 6N	Needle Bar Lower Guide Rail 6N	0203030024	
16	下导轨条 12N	Needle Bar Lower Guide Rail 12N	0203030022	
17	下导轨条 15N	Needle Bar Lower Guide Rail 15N	0203030023	
18	下毛毡垫 9N	Felt Packing	0102020015	2
19	上死点	Stopper Upper Poin	0102020008	9
20	压脚调节套	Presser Foot Set Clamp	0102020013	18
21	压脚 56	Presser Foot	0102020014	9
22	O形橡胶圈	Washer	0102020057	9
23	中塑料套	Presser Foot Bushing	0102020012	9
24	自扣	Lever Stopper	0102020032	9
25	自扣弹簧	Torsion Spring	0102020033	9
26	挑线杆片	Take-Up Lever	0105010033	9
27	弹簧挡杆 9N	Spring Hook Bar	0102020029	1
28	弹簧挡杆 6N	Spring Hook Bar 6N	0102020036	
29	弹簧挡杆 12N	Spring Hook Bar 12N	0102020037	
30	弹簧挡杆 15N	Spring Hook Bar 15N	0102020038	
31	针杆导板 9针	Needle Bar Guide 9N	0102020023	1
32	针杆导板 6针	Needle Bar Guide 6N	0102020024	
33	针杆导板 12针	Needle Bar Guide 12N	0105020008	
34	针杆导板 15针	Needle Bar Guide 15N	0105020009	
35	麻垫	Damper Ring	0102020007	1
36	挑线杆导向轴 9N	Guide Shaft	0102020018	2
37	挑线杆导向轴 6N	Guide Shaft 6N	0102020034	
38	挑线杆导向轴 12N	Guide Shaft 12N	0102020035	
39	挑线杆导向轴 15N	Guide Shaft 15N	0102020040	

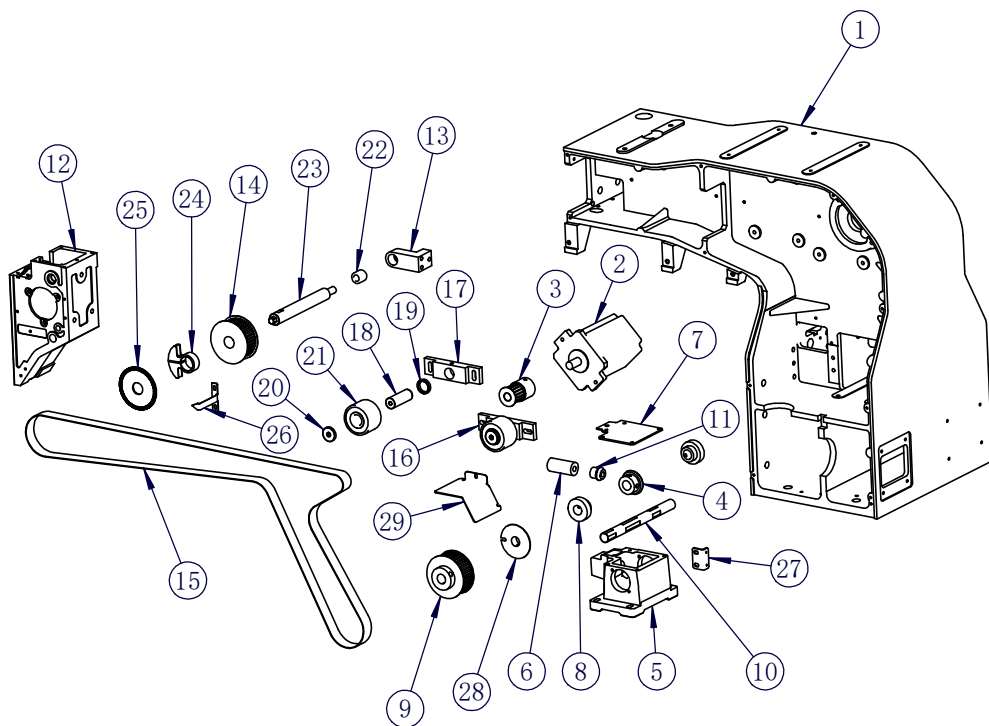
7-2 Needle Bar Case 2 针架2



7-2 Needle Bar Case 2 针架2

No.	Chinese Description	Description	Part No.	Qty
1	针架上隔板 9N	Top Cover 9N	0102020053	1
2	针架上隔板 6N	Top Cover 6N	0102020054	
4	针架上隔板 12N	Top Cover 12N	0102020055	
5	针架上隔板 15N	Top Cover 15N	0102020056	
6	针架上隔板(宽) 9N	Top Cover	0102020063	1
7	针架上隔板(宽) 12N	Top Cover W12N	0102020062	
8	针架上隔板(宽) 15N	Top Cover W15N	0102020061	
9	针架上面板 9N	Take-Up Lever Cover 9N	0102020044	1
10	针架上面板 6N	Take-Up Lever Cover 6N	0102020045	
11	针架上面板 12N	Take-Up Lever Cover 12N	0102020046	
12	针架上面板 15N	Take-Up Lever Cover 15N	0102020047	
13	中过线组件 9N带簧式	Middle Thread Guide 9N	0302010031	1
14	中过线组件 6N带簧式	Middle Thread Guide 6N	0302010034	
15	中过线组件 12N带簧式	Middle Thread Guide 12N	0302010032	
16	中过线组件 15N带簧式	Middle Thread Guide 15N	0302010033	
17	针架下面板 9N	Under Cover 9N	0102020048	1
18	针架下面板 6N	Under Cover 6N	0102020049	
19	针架下面板 12N	Under Cover 12N	0102020050	
20	针架下面板 15N	Under Cover 15N	0102020051	
21	垫圈D9d5H4	Washer		2
22	面线架组件 9针 左置	Thread Lock 9N Left	0302010051	
23	面线夹持组件 9针 右置	Thread Lock 9N Right	0302010052	1
24	面线夹持组件 6针 左置	Thread Lock 6N Left	0302010049	
25	面线夹持组件 6针 右置	Thread Lock 6N Right	0302010050	
26	面线夹持组件 12针 左置	Thread Lock 12N Left	0302010053	
27	面线夹持组件 12针 右置	Thread Lock 12N Right	0302010054	
28	面线夹持组件 15针 左置	Thread Lock 15N Left	0302010055	
29	面线夹持组件 15针 右置	Thread Lock 15N Right	0302010056	
30	下毛刷组件 9N	Thread Holder 9N	0302010041	1
31	下毛刷组件 6N	Thread Holder 6N	0302010044	
32	下毛刷组件 12N	Thread Holder 12N	0302010042	
33	下毛刷组件 15N	Thread Holder 15N	0302010043	
34	七字板支架	Cover Bracket	0103260033	2

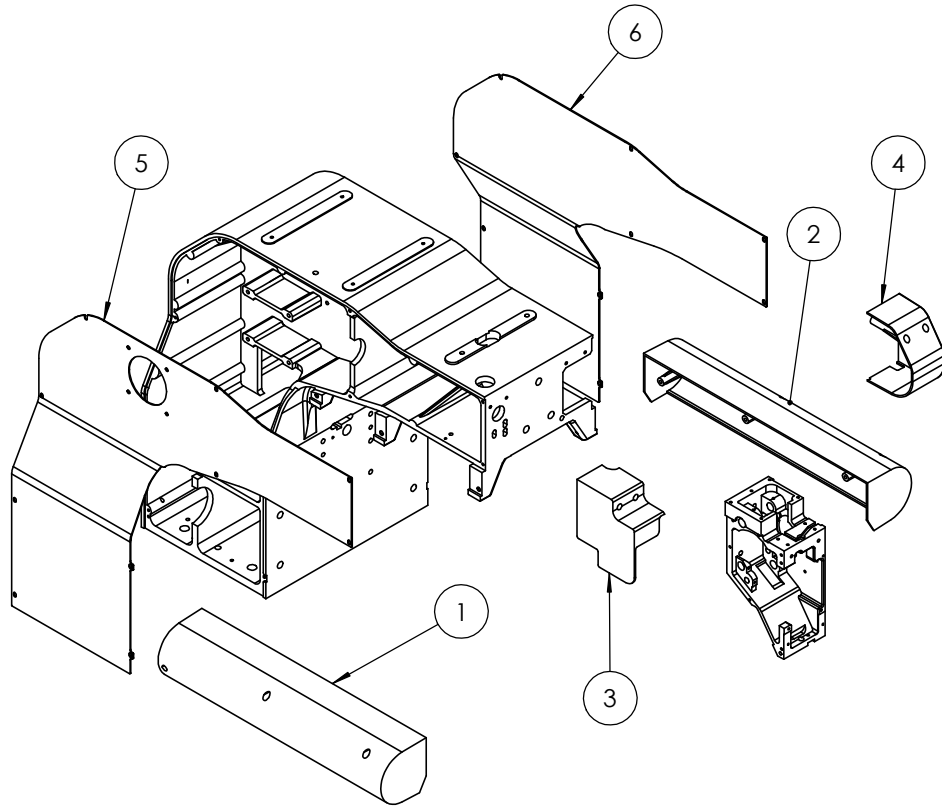
8 Gear BOX 齿轮箱



8 Gear BOX 齿轮箱

No.	Chinese Description	Description	Part No.	Qty
1	小马头机身	Small Body	106110001	1
2	小马头主电机	Motor	206070002	1
3	小马头主电机皮带轮	Timing Pulley	106250001	1
4	伞齿轮 大	Big Gear	102030004	1
5	齿轮箱	Gear Box	106030008	1
6	旋梭粉末套	Gear Box Powder Set	105030011	1
7	齿轮箱盖	Gear Box Plate	106030015	1
8	联体轴承6003	Bearing 6003	202150003	2
9	皮带轮5M34W25d15	Timing Pulley	106250005	1
10	齿轮箱横轴	Gear Box Shaft	106030013	1
11	伞齿轮小	Small Gear	102030005	1
12	机头壳47ST	Head	102010001	1
13	机头箱轴承座	Head Bearing	106010001	1
14	皮带轮5M34PW25d18	Timing Pulley	106250006	1
15	小马头主电机皮带5M-1635-20	Timing Belt	204030004	1
16	主皮带涨紧轮座A	Main Belt Sheet Seat A	106250008	1
17	主皮带涨紧轮座B	Main Belt Sheet Seat B	106250010	1
18	涨紧轮轴 - 紧销	Pulley Shaft	106250009	2
19	涨紧轴垫圈	Washer	106250014	2
20	涨紧轴外挡圈	Collar	106250013	2
21	加宽轴承 D47d17H30	Bearing	202020002	2
22	滚针轴承NK10/16	Needle Bearing	202070001	1
23	上轴	Head Belt Pulley	106250007	1
24	轴径18锁紧套-带平衡	Tightening Collar	102010051	1
25	刻度盘	Angle Indicator	103250003	1
26	指针	Poiner	106030017	1
27	零位光耦支架	Optical Coupling Support	106030025	1
28	零位感光轮-d15	Zero Postion Disk	105010007	1
29	剪线座防尘罩	Dust Cover	106040014	1

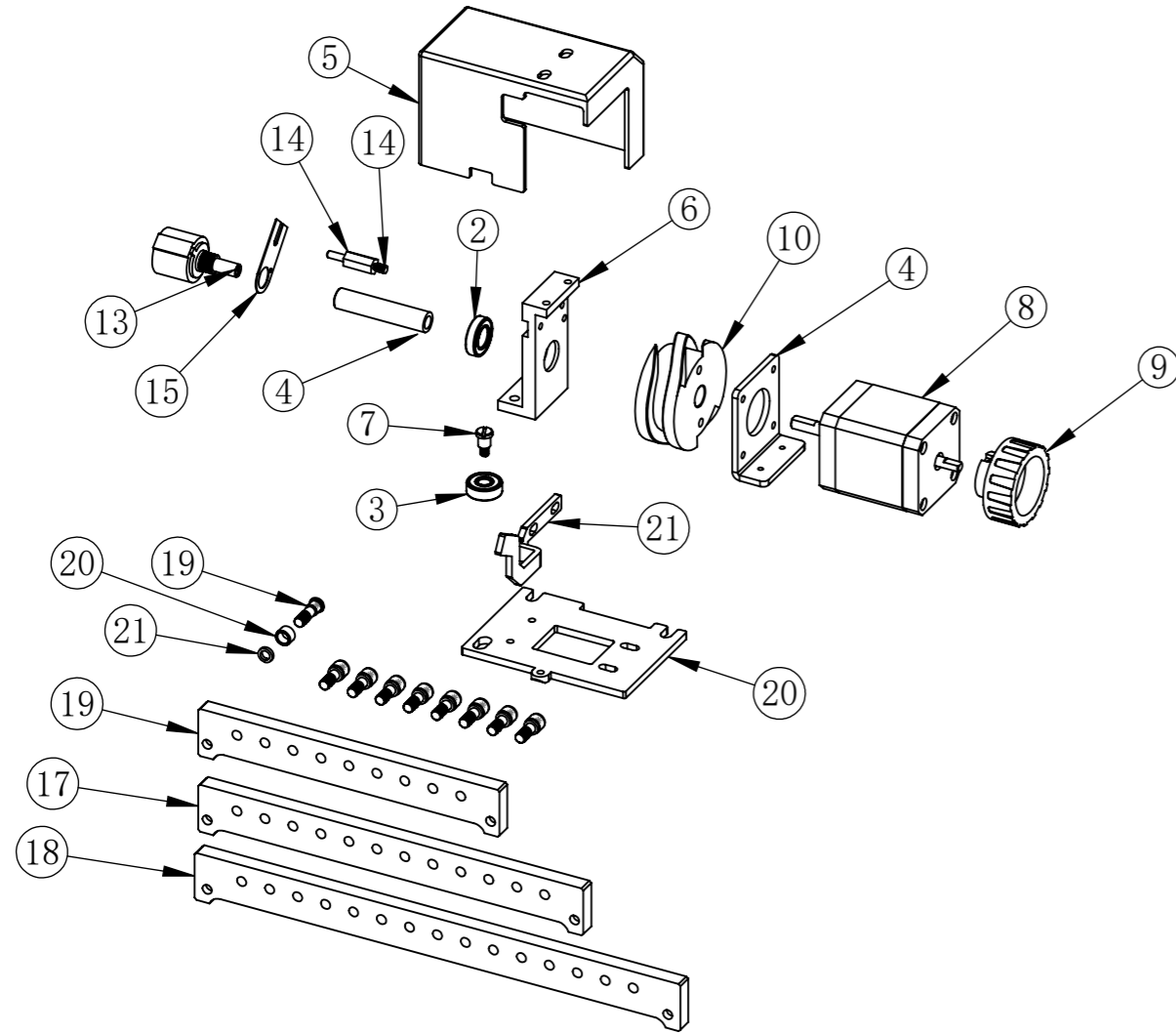
9 Machine cover 机器罩盖



9 Machine cover 机器罩盖

No.	Chinese Description	Description	Part No.	Qty
1	Y驱动罩壳（左）	Y Cover Shell-L	106160008	1
2	Y驱动罩壳（右）	Y Cover Shell-R	106160009	1
3	机头箱轴承座罩壳-左	Head Bearing Housing-L	106010021	1
4	机头箱轴承座罩壳-右	Head Bearing Housing-R	106010022	1
5	侧盖板（左）	Horse The Side Cover-L	106110003	1
6	侧盖板（右）	Horse The Side Cover-R	106110004	1

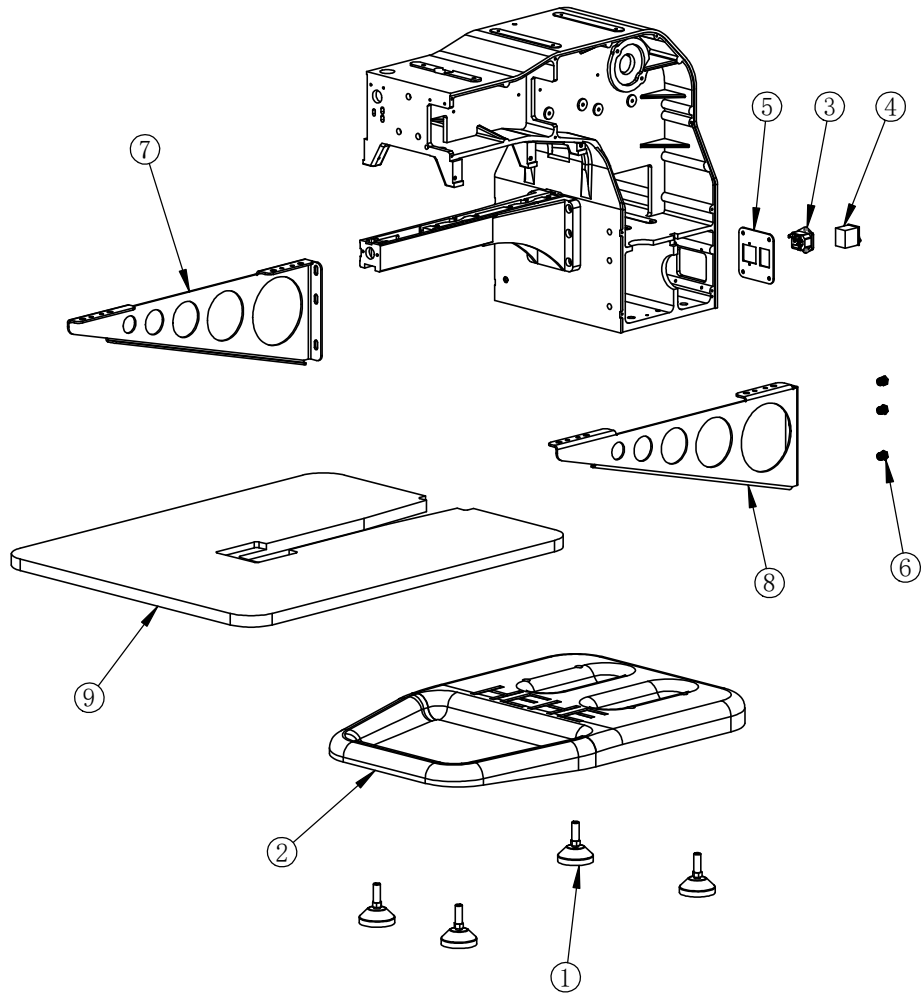
10 换色 Color Change



10 换色 Color Change

No.	Chinese Description	Description	Part No.	Qty
2	轴承6800z	Bearing	0202010011	1
3	轴承606z	Bearing	0202010012	1
4	换色马达座	Motor Base	0105080003	1
4	换色凸轮轴套	Bushing	0105080009	1
5	换色凸轮塑料罩	Cover	0105080008	1
6	换色轴承座	Bearing Plate	0105080002	1
7	换色轴承台阶销	Pin	0105080005	1
8	电机 42H53H-1206-MTJ02	Motor	0206010008	1
9	电机手柄	Handle	0105080006	1
10	换色 凸轮	Cam	0105080001	1
13	电位器	Potentiometer	0207020001	1
14	电位器螺栓	Fixed Bolt	0105080004	1
15	电位器支撑板	Potentiometer Support	0105080010	1
17	12针换色滚珠板	Guide Plate for 12N	0105080013	1
18	15针换色滚珠板	Guide Plate for 15N	0105080014	1
19	分段销	Pin	0105080017	9
20	换色滚珠	Collar	0105080016	9
21	垫片	Bushing	0105080018	9
19	9针换色滚珠板	Guide Plate for 9N	0105080012	1
20	换色凸轮安装底板	Color Change Base	0105080007	1
21	断线检测拨杆	Lever	0105080020	1

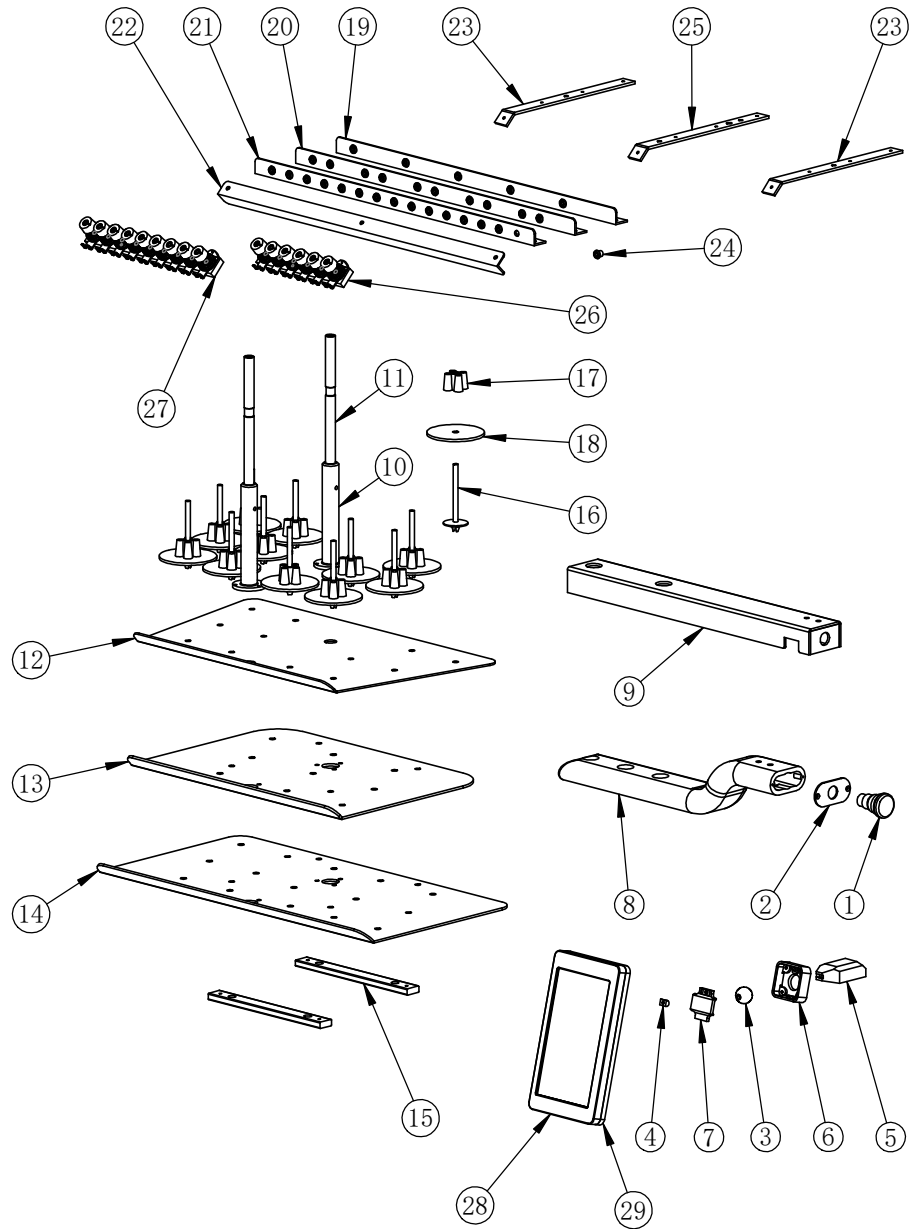
11 Table 台板



11 Table 台板

No.	Chinese Description	Description	Part No.	Qty
1	脚垫	Footing	210020004	4
2	机架底座(钢制)	The Base	106110002	1
3	电源插座	Outlet	207060007	1
4	总电源按钮开关	Power Switch	207060002	1
5	电源开关板	Switch Plate	105110044	1
6	台板支撑螺帽M6	Mut M6	106130005	6
7	台板支撑左	Bedplate Support-L	106130003	1
8	台板支座右	Bedplate support-R	106130004	1
9	工作台板	Platen	106130002	1

15 Thread Stand 线架

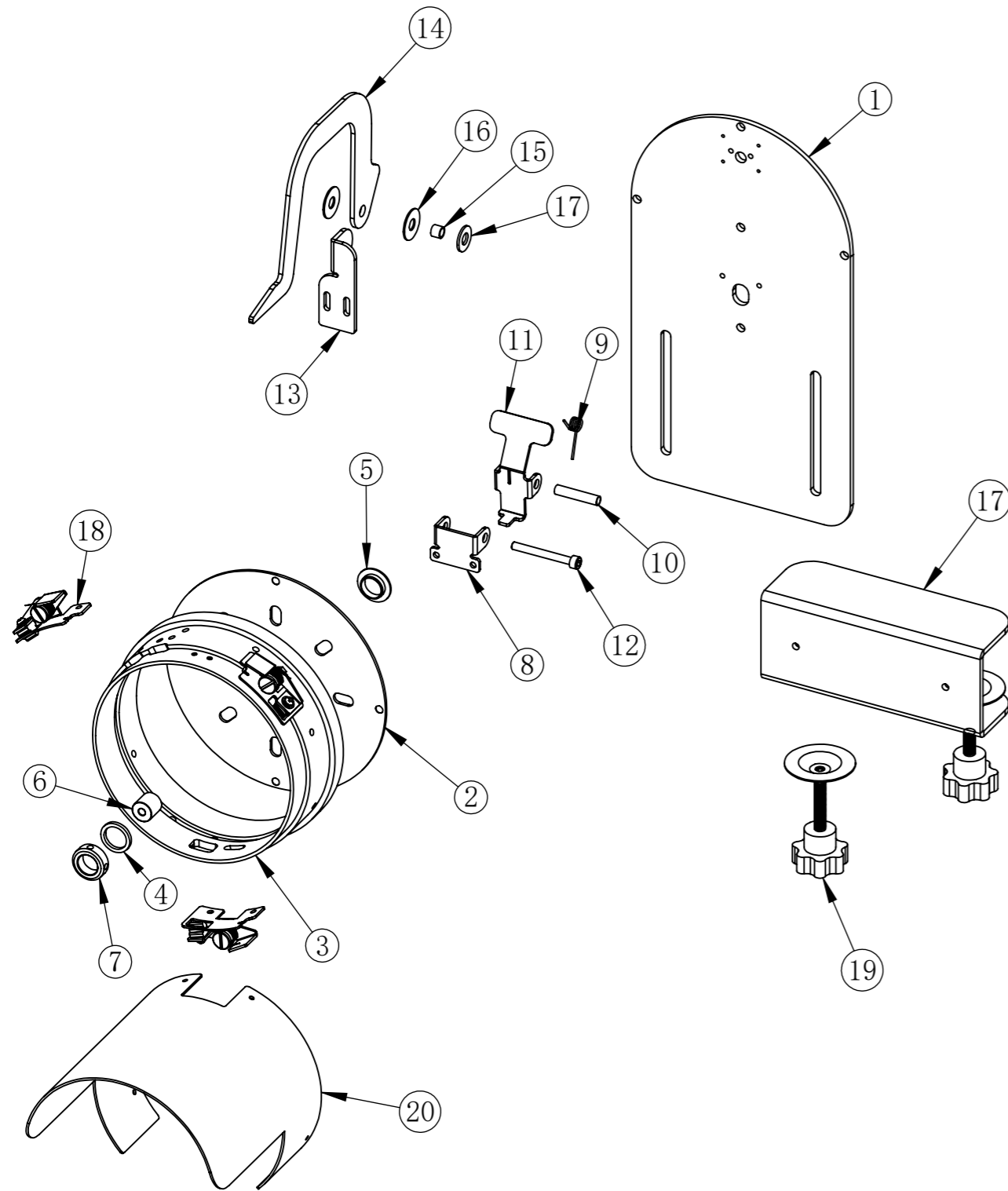


220820

15 Thread Stand 线架

No.	Chinese Description	Description	Part No.	Qty
1	TZ急停开关	Emergency Stop Switch	207060001	1
2	急停开关座	Switch Base	106110006	1
3	操作盘球头	Bulb	106110027	1
4	滚花螺母	Knurl Nut	106110031	1
5	显示器立柱	Display Upright	106110024	1
6	显示器圆球座-铝	Display Ball Seat	106110019	1
7	显示器压珠板	Pressing Plate	106110018	1
8	小马头显示器支架	Display support	106110017	1
9	小马头15针显示器支架	Display support 15	106110016	1
10	线架立柱(下)	Pillar Unaer	106210002	2
11	线架立柱(上)	Pillar Up	105210004	2
12	小马头线盘12针	Thread Plate 12	106210003	1
13	小马头线盘9针	Thread Plate 9	106210001	1
14	小马头线盘15针	Thread Plate 15	106210005	1
15	线盘支架条	Holder	106210004	2
16	塑料线钉	Pin	105210028	12
17	线钉张紧塑料块	Block	105210029	12
18	线盘毛毡垫	Felt	105210030	12
19	过线道角铝后	Aluminum Strip 15-5	105210009	1
	过线道角铝后	Aluminum Strip 12-4	105210008	1
	过线道角铝后	Aluminum Strip 9-3	106210009	1
20	过线道角铝中后	Aluminum Strip 15-10	105210013	1
	过线道角铝中后	Aluminum Strip 12-8	105210012	1
	过线道角铝中后	Aluminum Strip 9-6	106210008	1
21	过线道角铝中前	Aluminum Strip 15-15	105210017	1
	过线道角铝中前	Aluminum Strip 12-12	105210016	1
	过线道角铝中前	Aluminum Strip 9-9	106210007	1
22	过线道角铝前	Aluminum Strip 15-3	105210021	1
	过线道角铝前	Aluminum Strip 12-3	105210021	1
	过线道角铝前	Aluminum Strip 9-3	106210006	1
23	线架横档-马头机两边	Thread Lead Plate	105210025	2
24	线架瓷眼	Porcelain Sleeve	105210001	30
25	线架横档-马头机中	Hread Lead Plate	105210024	1
26	过线钮组件6钮	Thread Tension Set	105210027	1
27	过线钮组件9钮	Thread Tension Set	105210026	1
28	显示器前壳	Protégulum	106110032	1
29	显示器后壳	Rear Cover	106110033	1

17-2 Cap Frame Parts 帽座组件



17-2 Cap Frame Parts 帽座组件

No.	Chinese Description	Description	Part No.	Qty
1	帽架支架平板 - 带旋转	Cap Frame Main Su	0110200003	1
2	帽架帽圈后板	Back Palte	0110200004	1
3	帽座帽圈	Cap Tube	0110200005	1
4	轴芯尼龙隔套	Ring	0110200006	1
5	轴芯耐磨衬套	plastics Collar	0110200007	1
6	轴芯 - 旋转	Pin	0110200008	1
7	轴芯挡圈	Collar	0110200009	1
8	扳扣底板	Trigger Base Plate	0110200010	1
9	扳扣扭簧	Trigger Spring	0110200011	1
10	扳扣转轴	Trigger Shaft	0110200012	1
11	扳扣板	Trigger	0110200013	1
12	M5螺丝 - 45半牙	Screw		1
13	对位板底板	Location Base Plate	0110200014	1
14	对位板	Location Plate	0110200015	1
15	对位板空心转轴	Location Shaft	0110200016	1
16	尼龙垫片D22d8H1	Insulation Spacer	0110200017	2
17	帽架支架U板	Support U Plate	0110200019	1
18	料夹片A	Snap		1
19	帽座手柄A	Handle A	103240011	2
20	帽檐	Brim of a hat	103240006	1